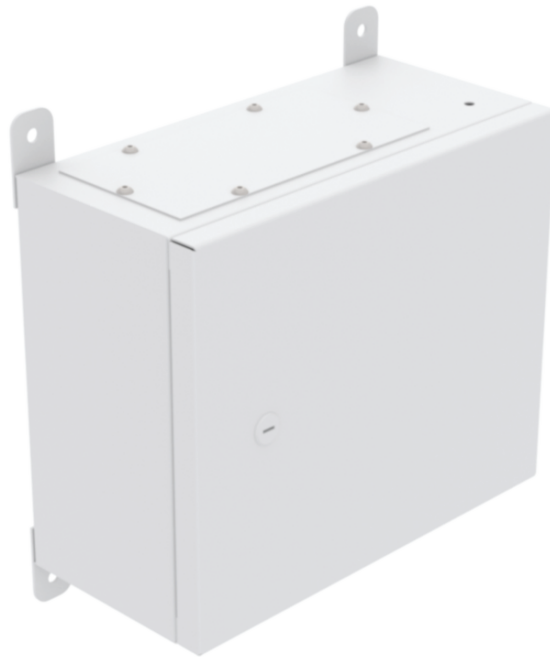
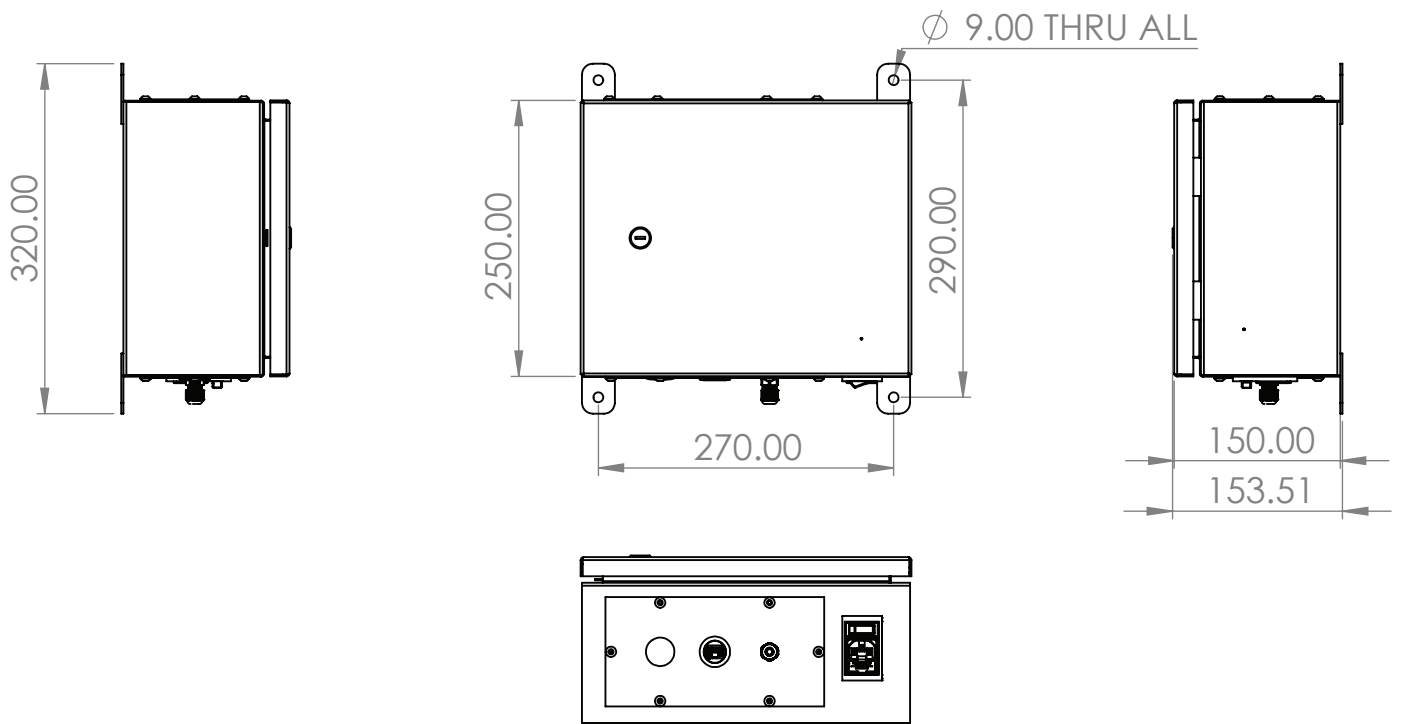
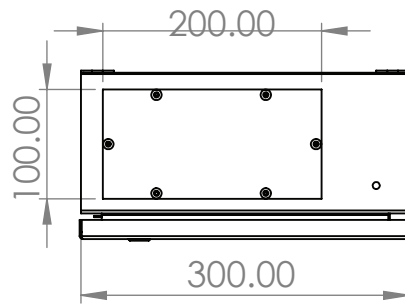
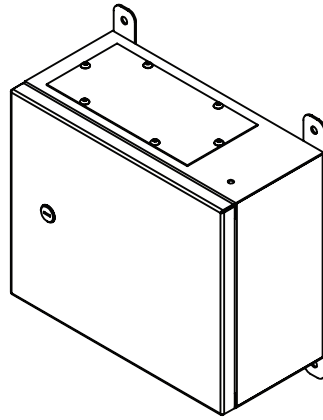


REMOTE I/O LAN 0404

SA-RIO-SL-01



TECHNICAL DRAWING



BASIC INFORMATION

Length	300 mm
Width	150 mm
Height	250 mm

IDENTIFICATION

Interface	1 x RJ45 (Ethernet)
Maximum number of controlled device using FMS	30
Maximum Input	4
Digital Input Logic Level	Dry Contact (Default) - Logic level 1 : close to DI COM - Logic level 0 : open Wet Contact - Logic level 1 : 10~30 VDC (0.8 mA max.) - Logic level 0 : 0~3 VDC (3 mA min.)
Isolation	3000 Vrms
Maximum Output	4
Output Contact Rating	3 A @ 30 VDC, 5A @ 250 VAC
Operating System	NavWiz
Contact Rating	5 A
Protocol	Modbus/TCP, TCP/IP, DHCP, HTTP
Input Voltage	115~230 VAC
Input/Output Configuration	Output Sourcing 1A@24VDC *Total output current must not be more than 1A

ENVIRONMENT

Operating Environment	-40~70 °C / -40~158 °F
Humidity	0~95 % (non-condensing)
Storage Temperature	-40~85 °C / -40~158 °F