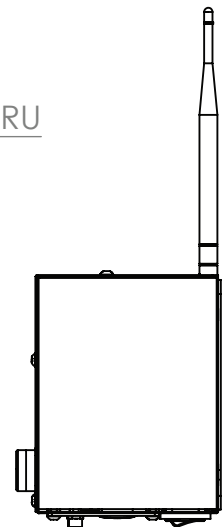
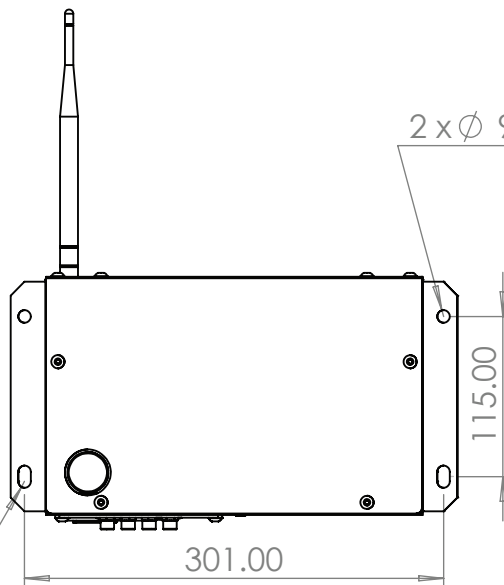
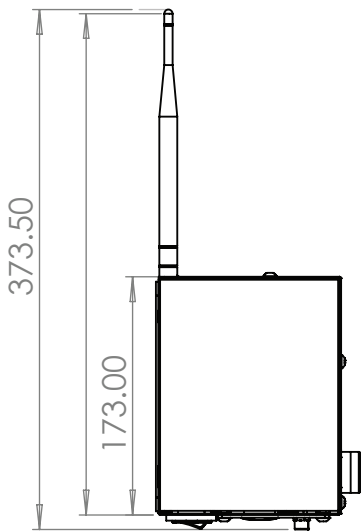
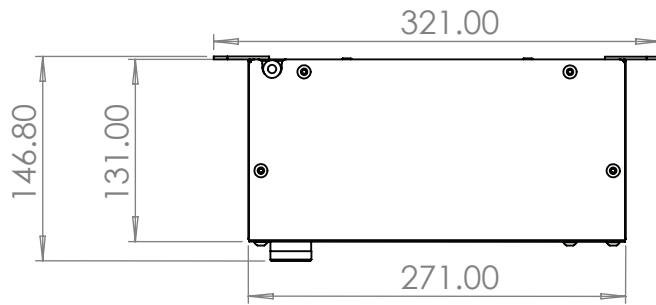
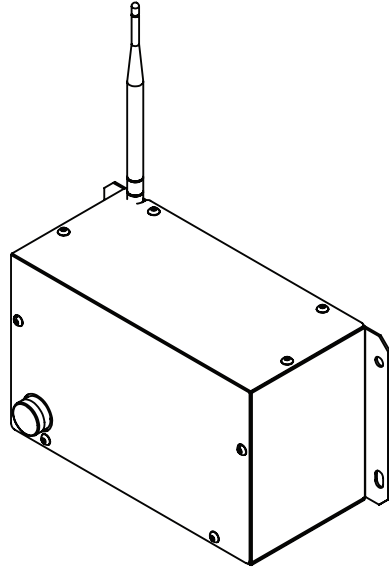


COMPACT REMOTE I/O WIFI

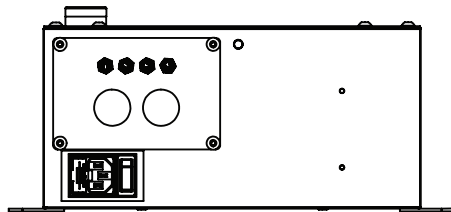
SA-RIO-CW-01



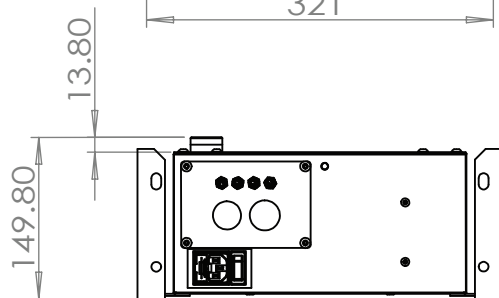
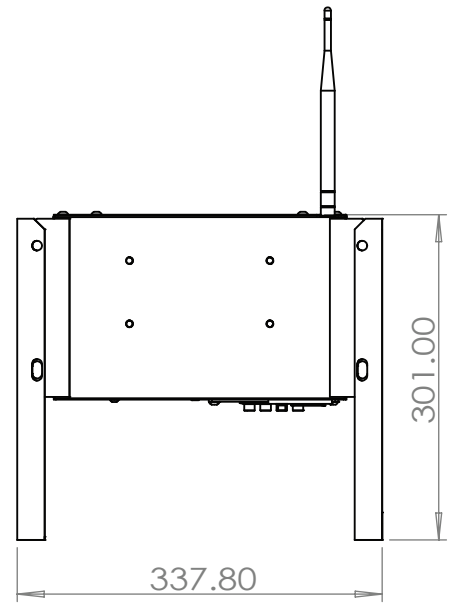
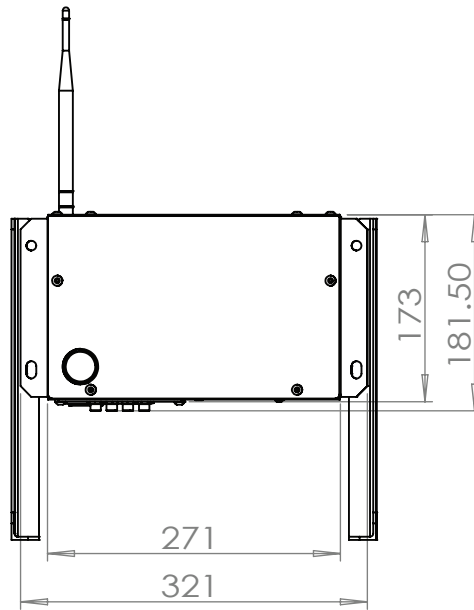
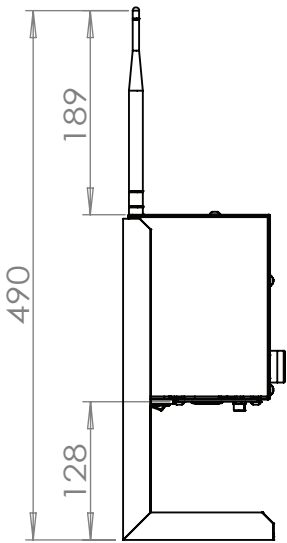
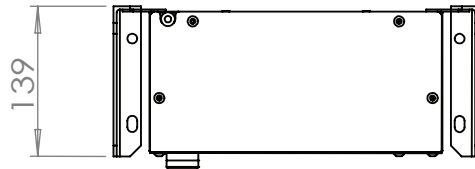
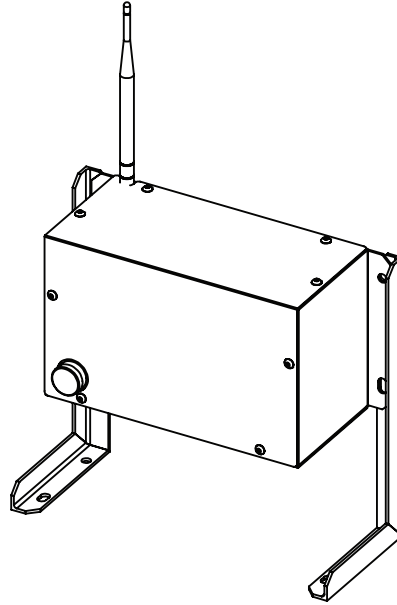
TECHNICAL DRAWING



2 x 9.00 X 16.00 THRU



TECHNICAL DRAWING - with mounting Leg



BASIC INFORMATION - HOUSING

Length	271 mm
Width	131 mm
Height	173 mm , with Antenna : 362 mm

BASIC INFORMATION - HOUSING WITH MOUNTING PLATE

Length	338 mm
Width	150 mm
Height	301 mm, with Antenna : 490 mm
Weight	4.2 kg

IDENTIFICATION

Interface	WiFi
Supported wireless frequency band	2.4 GHz
Maximum number of controlled device using FMS	30
Maximum Input	4
Digital Output Logic Level	Dry Contact (Default) - Logic level 1 : close to DI COM - Logic level 0 : open Wet Contact - Logic level 1 : 10~30 VDC (0.8 mA max.) - Logic level 0 : 0~3 VDC (3 mA min.)
Isolation	3000 Vrms
Maximum Output	4
Output Contact Rating	3 A @ 30 VDC, 5A @ 250 VAC
Operating System	NavWiz
Contact Rating	5 A
Protocol	Modbus/TCP, TCP/IP, DHCP, HTTP
Input Voltage	115~230 VAC
Input/Output Configuration	Output Sourcing 1A@24VDC *Total output current must not be more than 1A

ENVIRONMENT

Operating Environment	-40~70 °C / -40~158 °F
Humidity	0~95 % (non-condensing)
Storage Temperature	-40~85 °C / -40~158 °F

